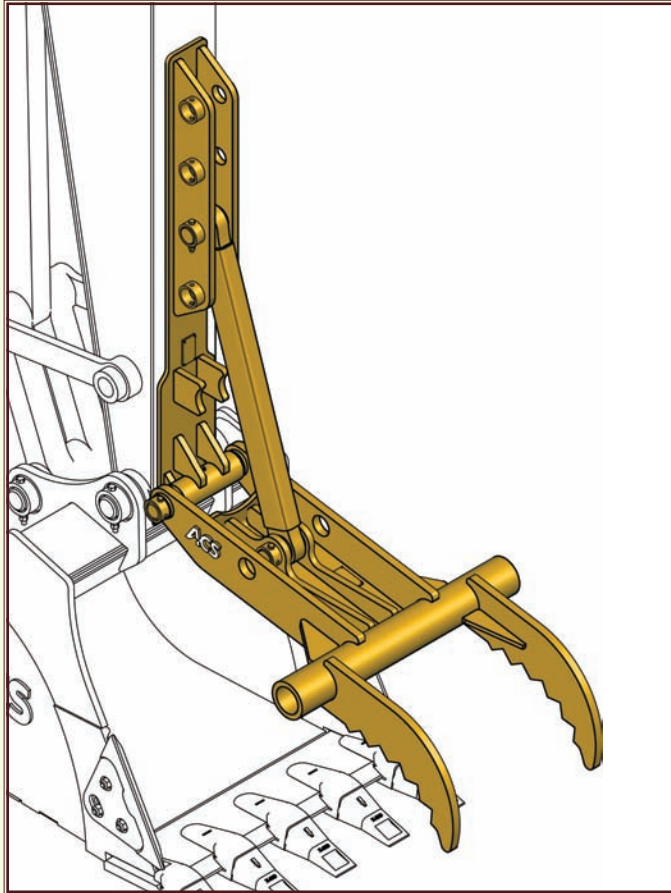


ACS Excavator 

# Weld-On Thumbs<sup>\*</sup>

Economical thumb solutions that install anywhere.

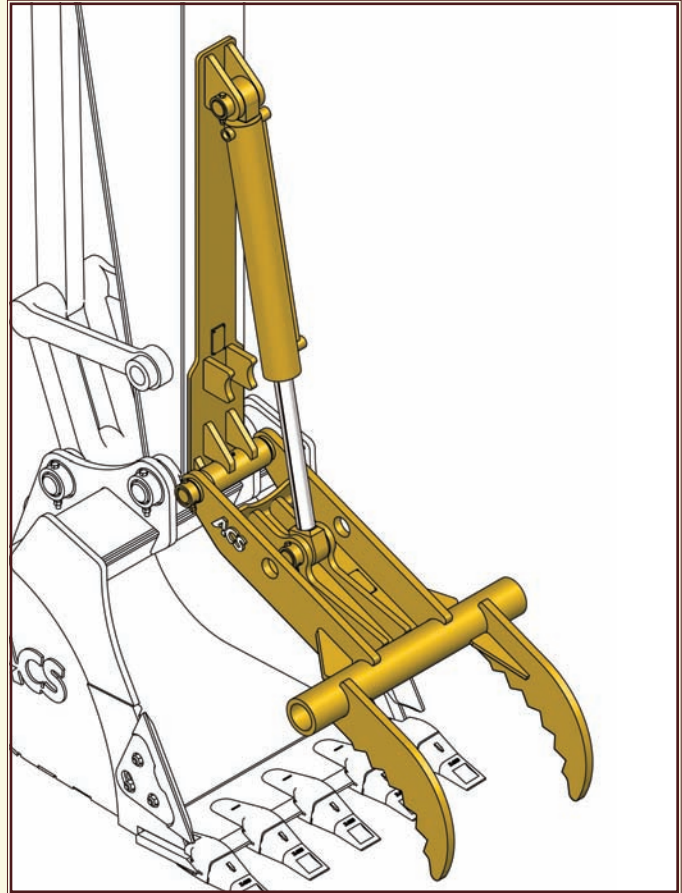
ACS Weld-On Thumbs are designed to be universal — one thumb will install on any model excavator within the same class size. This cuts the cost of customization out of the manufacturing process and provides a quality built thumb at significant savings.



## Weld-On Stiff-Arm

This ruggedly built thumb is manually adjustable to three different working angles. A fourth setting is provided for stowing the thumb in a retracted position when not in use.

No hydraulics are required for this thumb.



## Weld-On Hydraulic

Provides operators the efficiency of controlling thumb-travel from the cab with the added feature of a hydraulic cylinder.

An optional ACS Thumb Activation Package is available for excavators not already plumbed for a hydraulic thumb.

*\*Note:* Weld-On Thumbs are not designed with a tip radius length that will allow them to be used when a coupler is installed on the machine. ACS offers thumbs designed specifically to work with coupler-equipped excavators. For more information talk to your ACS representative or contact ACS directly.

**ACS**  
INDUSTRIES, INC.   
Quality That Works.®

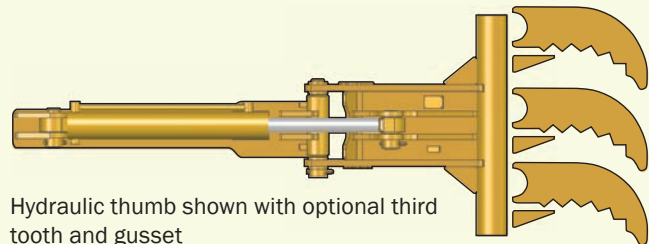
ACS Excavator 

# Weld-On Thumbs

Economical thumb solutions that install anywhere.

## The Kit

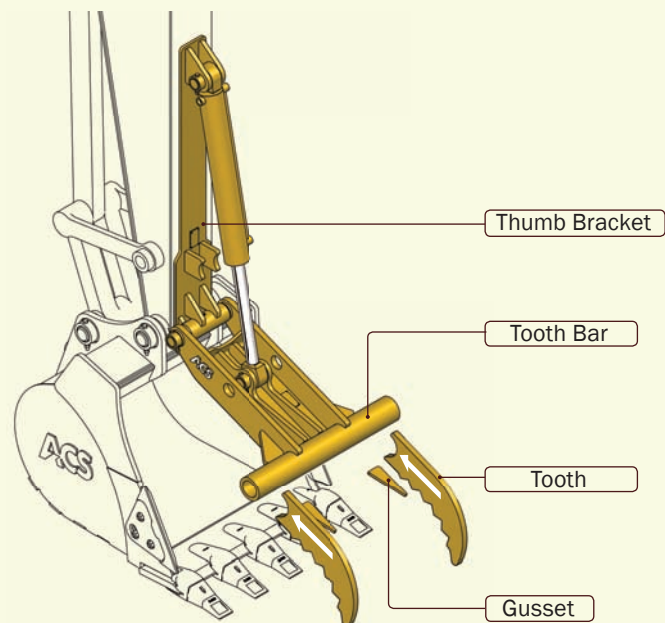
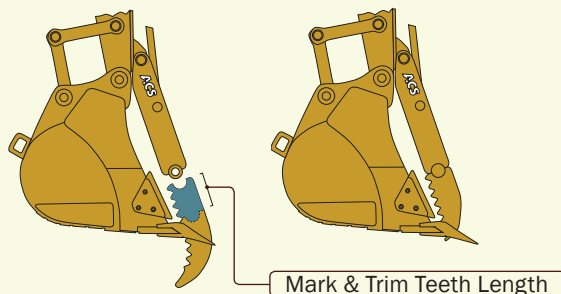
Your ACS Weld-On Thumb kit ships with the teeth and gussets loose so that you can tailor it on-site to lace with the teeth on your bucket. One thumb will install to any machine within the same size class.



Hydraulic thumb shown with optional third tooth and gusset

## Installation

1. Weld thumb bracket to excavator stick.
2. Trim the thumb teeth to desired length.
3. Weld teeth to tooth bar.
4. Connect and activate hydraulics (Only for ACS Weld-On Hydraulic Thumb).



## Optional Packages

**ACS Hydraulic Activation Kit** - Turnkey solution for excavators not already plumbed for additional hydraulic attachments.

**Third Tooth and Gusset** - For increased material retention and control.

## Warranty Coverage

The limited warranty for ACS Excavator Weld-On Thumbs is one year or 2,000 hours, whichever comes first. Full warranty policy is available at [acs-coupler.com](http://acs-coupler.com).

**ACS Corporate Office**  
tel: 800-321-2348  
fax: 330-678-0859  
2151 Mogadore Road  
Kent, OH 44240-0810

**ACS Northwest Office**  
tel: 800-688-6266  
19602 60th Avenue  
Arlington, WA 98223

[www.acs-coupler.com](http://www.acs-coupler.com)

**ACS**  
**INDUSTRIES, INC.**   
Quality That Works.®